

## FEATURES

- The preferred pump frame in the pressure cleaning industry
- Forged brass manifold with an exclusive lifetime warranty
- Large-capacity, die-cast, anodized aluminum oil-bath crankcase
- Over-sized connecting rods for maximum life
- Heavy-duty tapered roller bearing.
- Unitized stainless steel inlet and discharge valves
- Available in left-handed “L” version

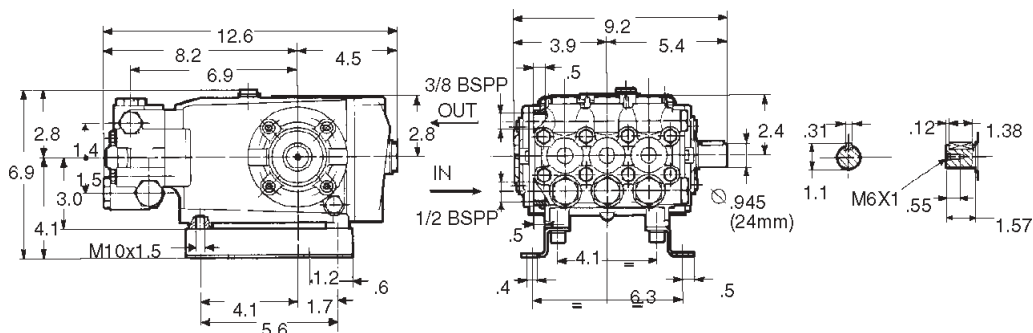


## SPECIFICATIONS

| Pump Model                 | T9281-N                  |
|----------------------------|--------------------------|
| Maximum Volume             | 4.0 GPM                  |
| Maximum Discharge Pressure | 4000 PSI                 |
| Maximum Pump Speed         | 1750 RPM                 |
| Maximum Inlet Pressure     | 125 PSI                  |
| Maximum Inlet Vacuum       | 9 ft. water (7.9 in. Hg) |
| Bore                       | .630 in. / 16 mm         |
| Stroke                     | .630 in. / 16 mm         |
| Crankcase Oil Capacity     | 40.6 oz.                 |
| Maximum Fluid Temperature  | 165°F                    |
| Inlet Port Thread          | 1/2-14 BSPP-F            |
| Discharge Port Thread      | 3/8-19 BSPP-F            |
| Shaft Diameter.            | .945 in. / 24 mm         |
| Weight                     | 33 lbs.                  |
| Dimensions                 | 12.6 x 9.2 x 6.9 in.     |

*N=Nickel-plated manifold*

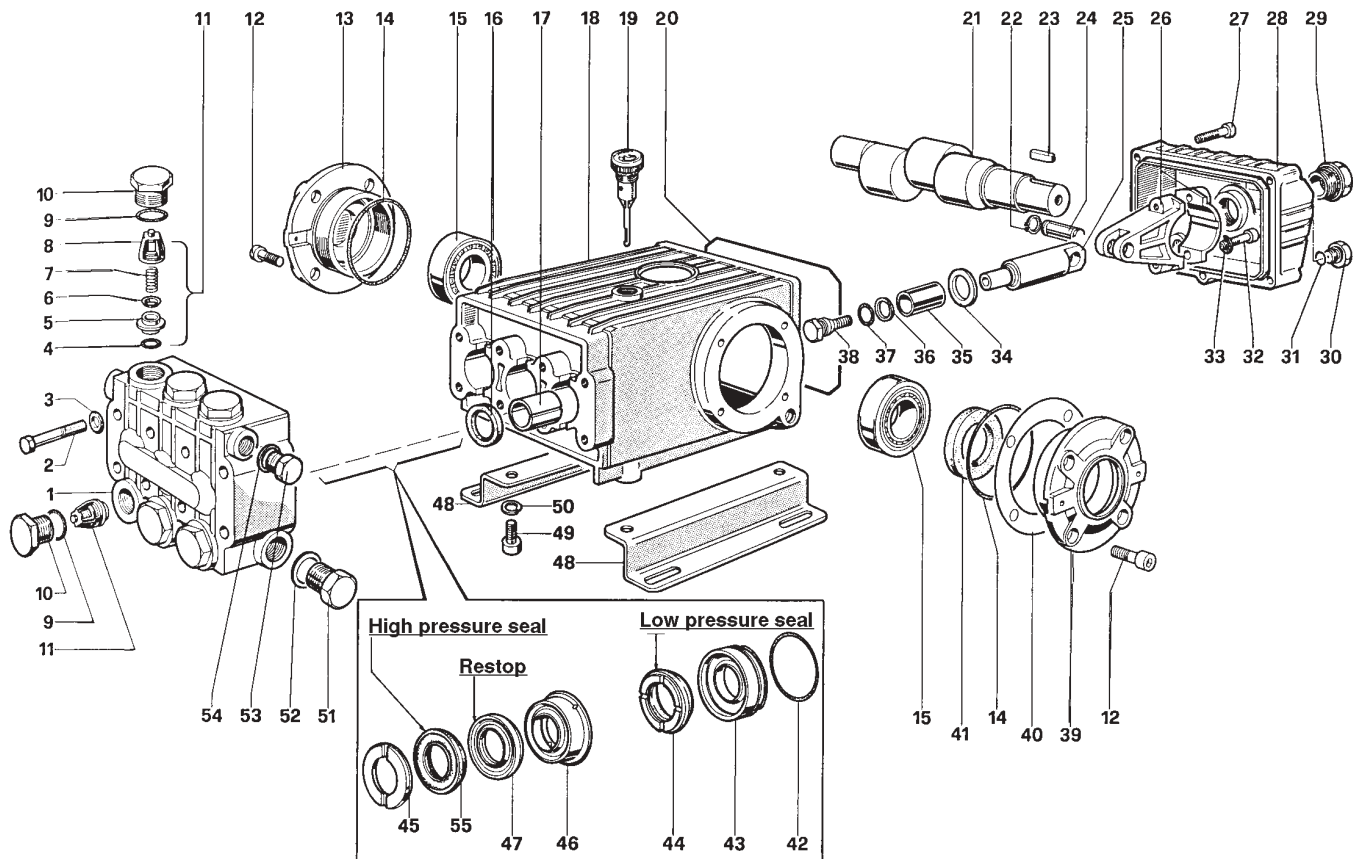
## DIMENSIONAL DRAWING



# T Series 47 S – 16 mm x 16 mm

## GENERAL PUMP

A member of the Interpump Group



### PARTS LIST

| ITEM PART NO. | DESCRIPTION     | KIT NO. | QTY. | ITEM PART NO. | DESCRIPTION     | KIT NO. | QTY. | ITEM PART NO. | DESCRIPTION            | KIT NO. | QTY. |
|---------------|-----------------|---------|------|---------------|-----------------|---------|------|---------------|------------------------|---------|------|
| 1. 47121441   | Manifold        |         | 1    | 19. 98210600  | Cap             |         | 1    | 38. 47219666  | Plunger Screw          | 107     | 3    |
| 2. 99320600   | Screw           |         | 8    | 20. 90392200  | O-Ring, Cover   |         | 1    | 39. 47150022  | Crankcase Cover        |         | 1    |
| 3. 96702000   | Washer          |         | 8    | 21. 47021735  | Crankshaft      |         | 1    | 40. 97567800  | Shim                   |         | 2    |
| 4. 90384100   | O-Ring          | 1       | 6    | 22. 90055700  | Cir-Clip        |         | 6    | 41. 90164800  | Ring                   | 3       | 1    |
| 5. 36200366   | Valve Seat      | 1       | 6    | 23. 91489000  | Key             |         | 1    | 42. 90361600  | O-Ring                 | 111,112 | 3    |
| 6. 36200176   | Valve           | 1       | 6    | 24. 97738000  | Plunger Pin     |         | 3    | 43. 47080870  | Packing Retainer       | 111,112 | 3    |
| 7. 94737600   | Spring          | 1       | 6    | 25. 47050654  | Plunger Guide   |         | 3    | 44. 90264400  | Seal, Low Press., 16mm | 109,112 | 3    |
| 8. 36200251   | Valve Guide     | 1       | 6    | 26. 47030001  | Connecting Rod  |         | 3    | 45. 47100351  | Head Ring              | 108,112 | 3    |
| 9. 90384700   | O-Ring          | 106     | 6    | 27. 99191200  | Screw           |         | 5    | 46. 47217270  | Intermed. Ring         | 110,112 | 3    |
| 10. 98222400  | Cap             | 106     | 6    | 28. 47160122  | Crankcase Cover |         | 1    | 47. 90264300  | Restop Ring            | 109,112 | 3    |
| 11. 36703201  | Valve Unit      | 1       | 6    | 29. 97596800  | Oil Indicator   |         | 1    | 48. 47200074  | Foot                   |         | 2    |
| 12. 99303900  | Screw           |         | 8    | 30. 98204100  | Cap             |         | 1    | 49. 99364400  | Screw                  |         | 4    |
| 13. 47150122  | Crankcase Cover |         | 1    | 31. 90358500  | O-Ring          |         | 1    | 50. 96710600  | Washer                 |         | 4    |
| 14. 90391300  | O-Ring          |         | 2    | 32. 99309900  | Screw           |         | 6    | 51. 98217600  | Cap                    |         | 1    |
| 15. 64047     | Bearing         |         | 2    | 33. 96701400  | Washer          |         | 6    | 52. 96751400  | Washer                 |         | 1    |
| 16. 90162500  | Ring            | 2       | 3    | 34. 47211747  | Ring            |         | 3    | 53. 98210000  | Cap                    |         | 1    |
| 17. 90912600  | Bushing         |         | 3    | 35. 47040856  | Plunger (16 mm) |         | 3    | 54. 96738000  | Washer                 |         | 1    |
| 18. 47010222  | Crankcase       |         | 1    | 36. 90503300  | Anti-Ext. Ring  | 107     | 3    | 55. 90264200  | Packing                | 109,112 | 3    |
|               |                 |         |      | 37. 90357700  | O-Ring          | 107     | 3    |               |                        |         |      |

### REPAIR KITS

| KIT NO.                              | 1                   | 2  | 3  | 106   | 107        | 108 | 109        | 110 | 111    | 112                        |
|--------------------------------------|---------------------|----|----|-------|------------|-----|------------|-----|--------|----------------------------|
| ITEM NO.s INCLUDED IN KIT            | 4, 5, 6, 7, 8, (11) | 16 | 41 | 9, 10 | 36, 37, 38 | 45  | 44, 47, 55 | 46  | 42, 43 | 42, 43, 44, 45, 46, 47, 55 |
| NUMBER OF ASSEMBLIES IN KIT          | 6                   | 3  | 2  | 6     | 3          | 6   | 3          | 3   | 3      | 1                          |
| NUMBER OF CYLINDERS KIT WILL SERVICE | 6                   | 3  | 2  | 6     | 3          | 6   | 3          | 3   | 3      | 1                          |

### TORQUE SPECS\*

| Position | Ft.-lbs. |
|----------|----------|
| 2        | 22.1     |
| 10       | 73.7     |
| 12       | 14.7     |
| 27       | 7.3      |
| 29       | 13.2     |
| 30       | 14.7     |
| 32       | 14.7     |
| 38       | 14.7     |
| 49       | 29.4     |
| 51       | 29.4     |
| 53       | 29.4     |

\*Decrease torque by 20% if threads are lubricated.



# YGR1000/1125

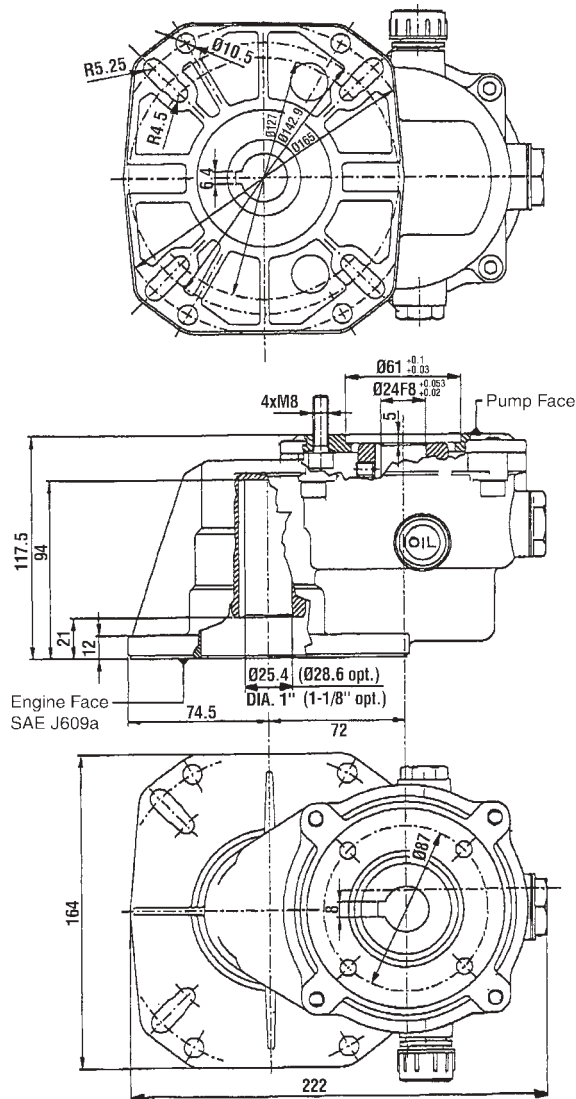
## Gear Reducer



### SPECIFICATIONS

| Part Number           | YGR1000  | YGR1125  |
|-----------------------|----------|----------|
| Maximum Speed         | 3100     | 3100     |
| Engine Shaft Diameter | 1"       | 1.125"   |
| Maximum Horsepower    | 18       | 18       |
| Gear Ratio            | 2.2:1    | 2.2:1    |
| Weight                | 5.8 lbs. | 5.8 lbs. |
| Flange – SAE          | J609a    | J609a    |
| Pump Shaft            | 24 mm    | 24 mm    |
| Oil Capacity          | 10 oz.   | 10 oz.   |
| Oil                   | SAE 90   | SAE 90   |

### DIMENSIONS



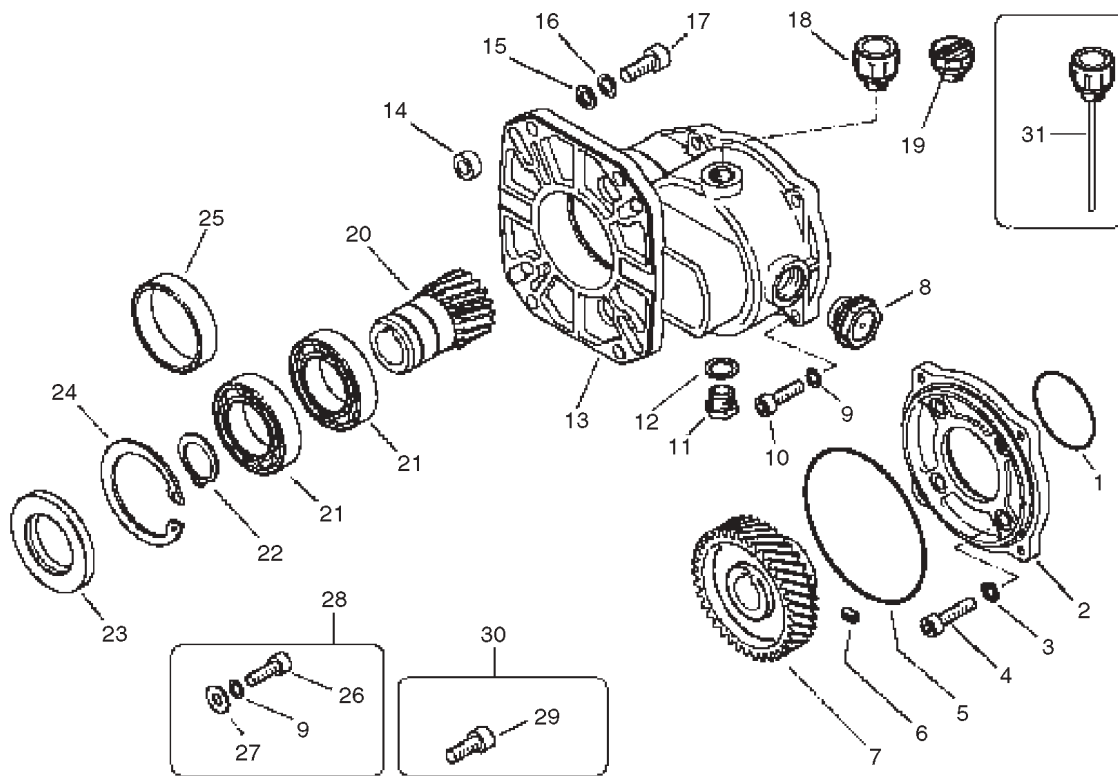
### FEATURES

- Compact design with easy-mount, universal flange for quick and direct coupling to a wide range of engines.
- Oil bath lubrication combined with premium quality, hardened steel helical gears for quiet operation and extended life.
- Oversized bearing system is self-aligning. Reduces load on motor bearings and pump bearings.
- Reversible mounting for right or left hand drive gas engines. Includes reversible dipstick and oil level sight glass.

# YGR1000/1125

## Gear Reducer

**GENERAL PUMP** *A member of the Interpump Group*



### PARTS LIST

| No. | Part No.  | Description              | Qty | No. | Part No.  | Description                   | Qty |
|-----|-----------|--------------------------|-----|-----|-----------|-------------------------------|-----|
| 1.  | Y10321056 | O-Ring, 2.62 x 56.82 mm  | 1   | 18. | Y15372600 | Oil Plug                      | 1   |
| 2.  | Y50000244 | Flange                   | 1   | 19. | Y15372500 | Shipping Cap                  | 1   |
| 3.  | Y14409600 | Washer, M6 mm            | 4   | 20. | Y50000621 | Pinion, 1", Z17 (YGR1000)     | 1   |
| 4.  | Y16195831 | Screw, M8 x 30 mm        | 4   | 20. | Y50000721 | Pinion, 1-1/8", Z17 (YGR1125) | 1   |
| 5.  | Y10321111 | O-Ring, 2.62 x 113.92 mm | 1   | 21. | Y11444068 | Bearing, 40 x 68 x 15 mm      | 2   |
| 6.  | Y16222300 | Screw, M8 x 10 mm        | 1   | 22. | Y10104000 | Snap Ring, E, 40 mm           | 1   |
| 7.  | Y50000365 | Crown Gear, Z37          | 1   | 23. | Y10204072 | Seal, 40 mm                   | 1   |
| 8.  | Y15373400 | Oil Level Indicator      | 1   | 24. | Y10107200 | Snap Ring, 72 mm              | 1   |
| 9.  | Y14365200 | Washer, Safety 8.4 mm    | 8   | 25. | Y50010161 | Spacer, 68 mm                 | 1   |
| 10. | Y16195826 | Screw, M8 x 25 mm        | 4   | 26. | Y16200900 | Screw, 5/16" x 1              | 4   |
| 11. | Y60002831 | Oil Drain Plug, G3/8     | 1   | 27. | Y14357200 | Washer, 8.4 x 20 mm           | 4   |
| 12. | Y14404200 | Washer, 16 x 22 mm       | 1   | 28. | Y50001024 | Bolt Kit, 127 mm, 5/16"       | 1   |
| 13. | Y50060144 | Crankcase                | 1   | 29. | Y16203500 | Screw, M10                    | 4   |
| 14. | Y50000831 | Spacer                   | 1   | 30. | Y50001124 | Bolt Kit, 165 mm, M10         | 1   |
| 15. | Y14379800 | Washer, 10 x 17 mm       | 4   | 31. | Y15372800 | Dipstick                      | 1   |
| 16. | Y14365300 | Washer, Safety, 10.5 mm  | 4   |     |           |                               |     |
| 17. | Y16201000 | Screw, 3/8" x 1-1/4"     | 4   |     |           |                               |     |